

SPLIT BOBBIN HIGH ISOLATION POWER TRANSFORMERS

Parts are UL & CSA Recognized Under UL File E186547

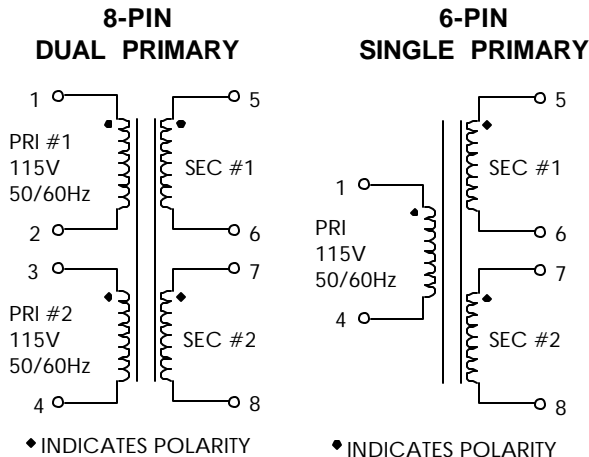
- ① 115V Single -OR- 115/230V Dual Primaries, 50/60Hz
- ② Low Capacitive Coupling Minimizes Line Noise
- ③ Dual Secondaries May Be Series -OR- Parallel Connected
- ④ 1.1VA To 36VA
- ⑤ 2500Vrms Isolation (Hi-Pot)
- ⑥ Split Bobbin Construction

ELECTRICAL SPECIFICATIONS AT 25°C - OPERATING TEMPERATURE RANGE -25°C TO +80°C

PART NUMBER		SIZE (VA)	SECONDARY RMS RATINGS	
SINGLE 115V	DUAL 115/230V		SERIES	PARALLEL
PSB-101	PSB-101D	1.1	10V C.T. @ 110mA	5V @ 220mA
PSB-102	PSB-102D	2.4	10V C.T. @ 250mA	5V @ 500mA
PSB-106	PSB-106D	6	10V C.T. @ 600mA	5V @ 1200mA
PSB-1012	PSB-1012D	12	10V C.T. @ 1200mA	5V @ 2400mA
PSB-1020	PSB-1020D	20	10V C.T. @ 2000mA	5V @ 4000mA
PSB-1036	PSB-1036D	36	10V C.T. @ 3600mA	5V @ 7200mA
PSB-121	PSB-121D	1.1	12V C.T. @ 90mA	6V @ 180mA
PSB-122	PSB-122D	2.4	12V C.T. @ 200mA	6V @ 400mA
PSB-126	PSB-126D	6	12V C.T. @ 500mA	6V @ 1000mA
PSB-1212	PSB-1212D	12	12V C.T. @ 1000mA	6V @ 2000mA
PSB-1220	PSB-1220D	20	12V C.T. @ 1600mA	6V @ 3200mA
PSB-1236	PSB-1236D	36	12V C.T. @ 2850mA	6V @ 5700mA
PSB-161	PSB-161D	1.1	16V C.T. @ 70mA	8V @ 140mA
PSB-162	PSB-162D	2.4	16V C.T. @ 150mA	8V @ 300mA
PSB-166	PSB-166D	6	16V C.T. @ 400mA	8V @ 800mA
PSB-1612	PSB-1612D	12	16V C.T. @ 800mA	8V @ 1600mA
PSB-1620	PSB-1620D	20	16V C.T. @ 1250mA	8V @ 2500mA
PSB-1636	PSB-1636D	36	16V C.T. @ 2250mA	8V @ 4500mA
PSB-201	PSB-201D	1.1	20V C.T. @ 55mA	10V @ 110mA
PSB-202	PSB-202D	2.4	20V C.T. @ 120mA	10V @ 240mA
PSB-206	PSB-206D	6	20V C.T. @ 300mA	10V @ 600mA
PSB-2012	PSB-2012D	12	20V C.T. @ 600mA	10V @ 1200mA
PSB-2020	PSB-2020D	20	20V C.T. @ 1000mA	10V @ 2000mA
PSB-2036	PSB-2036D	36	20V C.T. @ 1800mA	10V @ 3600mA
PSB-241	PSB-241D	1.1	24V C.T. @ 45mA	12V @ 90mA
PSB-242	PSB-242D	2.4	24V C.T. @ 100mA	12V @ 200mA
PSB-246	PSB-246D	6	24V C.T. @ 250mA	12V @ 500mA
PSB-2412	PSB-2412D	12	24V C.T. @ 500mA	12V @ 1000mA
PSB-2420	PSB-2420D	20	24V C.T. @ 800mA	12V @ 1600mA
PSB-2436	PSB-2436D	36	24V C.T. @ 1500mA	12V @ 3000mA

PART NUMBER		SIZE (VA)	SECONDARY RMS RATINGS	
SINGLE 115V	DUAL 115/230V		SERIES	PARALLEL
PSB-281	PSB-281D	1.1	28V C.T. @ 40mA	14V @ 80mA
PSB-282	PSB-282D	2.4	28V C.T. @ 85mA	14V @ 170mA
PSB-286	PSB-286D	6	28V C.T. @ 200mA	14V @ 400mA
PSB-2812	PSB-2812D	12	28V C.T. @ 420mA	14V @ 840mA
PSB-2820	PSB-2820D	20	28V C.T. @ 700mA	14V @ 1400mA
PSB-2836	PSB-2836D	36	28V C.T. @ 1300mA	14V @ 2600mA
PSB-361	PSB-361D	1.1	36V C.T. @ 30mA	18V @ 60mA
PSB-362	PSB-362D	2.4	36V C.T. @ 65mA	18V @ 130mA
PSB-366	PSB-366D	6	36V C.T. @ 170mA	18V @ 340mA
PSB-3612	PSB-3612D	12	36V C.T. @ 350mA	18V @ 700mA
PSB-3620	PSB-3620D	20	36V C.T. @ 550mA	18V @ 1100mA
PSB-3636	PSB-3636D	36	36V C.T. @ 1000mA	18V @ 2000mA
PSB-481	PSB-481D	1.1	48V C.T. @ 23mA	24V @ 46mA
PSB-482	PSB-482D	2.4	48V C.T. @ 50mA	24V @ 100mA
PSB-486	PSB-486D	6	48V C.T. @ 125mA	24V @ 250mA
PSB-4812	PSB-4812D	12	48V C.T. @ 250mA	24V @ 500mA
PSB-4820	PSB-4820D	20	48V C.T. @ 400mA	24V @ 800mA
PSB-4836	PSB-4836D	36	48V C.T. @ 750mA	24V @ 1500mA
PSB-561	PSB-561D	1.1	56V C.T. @ 20mA	28V @ 40mA
PSB-562	PSB-562D	2.4	56V C.T. @ 45mA	28V @ 90mA
PSB-566	PSB-566D	6	56V C.T. @ 110mA	28V @ 220mA
PSB-5612	PSB-5612D	12	56V C.T. @ 220mA	28V @ 440mA
PSB-5620	PSB-5620D	20	56V C.T. @ 350mA	28V @ 700mA
PSB-5636	PSB-5636D	36	56V C.T. @ 650mA	28V @ 1300mA
PSB-1201	PSB-1201D	1.1	120V C.T. @ 10mA	60V @ 20mA
PSB-1202	PSB-1202D	2.4	120V C.T. @ 20mA	60V @ 40mA
PSB-1206	PSB-1206D	6	120V C.T. @ 50mA	60V @ 100mA
PSB-12012	PSB-12012D	12	120V C.T. @ 100mA	60V @ 200mA
PSB-12020	PSB-12020D	20	120V C.T. @ 160mA	60V @ 320mA
PSB-12036	PSB-12036D	36	120V C.T. @ 300mA	60V @ 600mA

SCHEMATIC



APPLICATION

PSB-SERIES 6-SIZES: 1.1 TO 36VA

SINGLE PRIMARY: 6-PIN, 115V - 50/60Hz

DUAL PRIMARIES: 8-PIN PACKAGE

Series for 230V - 50/60Hz

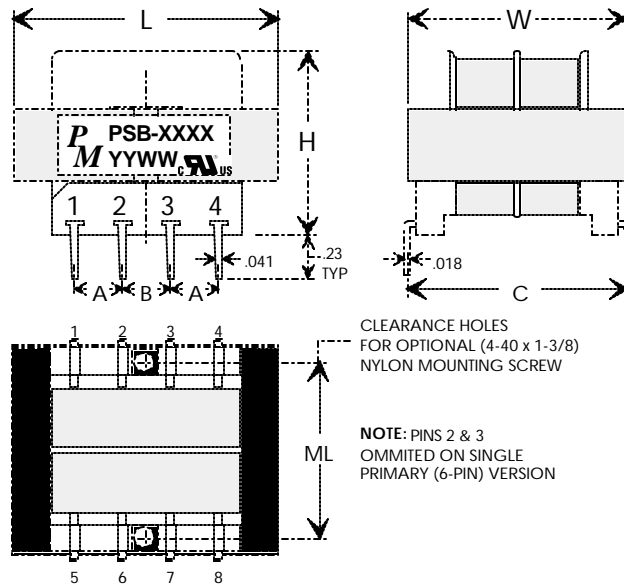
Parallel for 115V - 50/60Hz

Specifications subject to change without notice.

psb_497

SPLIT BOBBIN HIGH ISOLATION POWER TRANSFORMERS

PSB-XXX MECHANICAL



SIZE (VA)	DIMENSIONS IN INCHES						
	L	W	H	ML	A	B	C
1.1	1-3/8	1-1/8	0-15/16	N/A	.250	.250	1.200
2.4	1-3/8	1-1/8	1-3/16	N/A	.250	.250	1.200
6	1-5/8	1-5/16	1-5/16	1-1/16	.250	.350	1.280
12	1-7/8	1-9/16	1-7/16	1-1/4	.300	.400	1.410
20	2-1/4	1-7/8	1-7/16	1-1/2	.300	.400	1.600
36	2-5/8	2-3/16	1-9/16	N/A	.400	.400	1.850

VARIATIONS AVAILABLE. FOR INTERMEDIATE VALUES AND/OR CUSTOM DESIGNS PLEASE CONSULT THE FACTORY.