

T1/CEPT DUAL CORE SMD ISOLATION TRANSFORMERS

- ① Transmit & Receive in a Single SMD Package
- ② 2000Vrms Minimum Isolation Voltage
- ③ Industry Standard SMD Package
- ④ Extended Temperature Range Versions

NORMAL TEMP RANGE

ELECTRICAL SPECIFICATIONS AT 25°C - OPERATING TEMPERATURE RANGE 0°C TO +70°C

PART NUMBER	TURNSRATIO (PRI:SEC ±3%)		PRIMARY OCL (mH Min.)	PRI - SEC L_L (μH Max.)	PRI - SEC Cw/w (pf Max.)	DCR (PRI/SEC Ω Max)		Schematic
	T1	T2				T1	T2	
PM-IS20	1:1.38ct	1:1:1	1.20	0.40	35	0.7/1.0	.7/.7/.7	D
PM-IS21	1ct:2ct	1:1	1.20	0.40	30	0.7/1.2	0.7/0.7	B
PM-IS22	1:2ct	1:1.15ct	1.20	0.40	30	0.7/1.2	0.7/0.8	A
PM-IS23	1:1.15ct	1:2ct	1.20	0.40	30	0.7/0.8	0.7/1.2	A
PM-IS24	1:2ct	1:1.36ct	1.20	0.40	35	0.7/1.2	0.7/0.9	A
PM-IS25	1:2ct	1:1.36	1.20	0.40	35	0.7/1.2	0.7/0.9	C
PM-IS26	1:2ct	1:2ct	1.20	0.40	35	0.7/1.2	0.7/1.2	A
PM-IS27	1:1.15ct	1ct:2ct	1.20	0.40	30	0.7/0.8	0.7/1.2	E
PM-IS63	1ct:2ct	1:1.36ct	1.20	0.60	30	0.7/1.2	0.7/0.9	I

EXTENDED TEMP RANGE

ELECTRICAL SPECIFICATIONS AT 25°C - OPERATING TEMPERATURE RANGE -40°C TO +85°C

PART NUMBER	TURNSRATIO (PRI:SEC ±3%)		PRIMARY OCL (mH Min.)	PRI - SEC L_L (μH Max.)	PRI - SEC Cw/w (pf Max.)	DCR (PRI/SEC Ω Max)		Schematic
	T1	T2				T1	T2	
TSD-967 ⁽²⁾	1:1.27 Tp ¹	1ct:2ct	1.50/2.0	0.80/0.60	50/45	0.9/1.1	1.0/2.0	E
TSD-982 ⁽²⁾	1ct:2ct	1ct:2ct	1.50	0.40	35	0.7/1.4	0.7/1.4	F
PM-IS28	1ct:2ct	1ct:2ct	1.50	0.60	45	1.0/2.0	1.0/2.0	F
PM-IS29	1ct:2ct	1ct:1ct	1.50	0.60	45	1.0/2.0	1.0/1.0	G
PM-IS60	1:1.15ct	1ct:2ct	1.50	0.80	45	0.9/1.0	1.0/2.0	H
PM-IS61	1ct:1.15ct	1ct:1.15ct	1.50	0.80	45	1.0/1.0	1.0/1.0	G
PM-IS62	1ct:1ct	1ct:1ct	1.50	0.60	45	1.0/1.0	1.0/1.0	G
PM-IS64	1:1.27 Tp ¹	1ct:1ct	1.50/2.0	0.80/0.60	50/45	0.9/1.1	1.0/1.0	E
PM-IS65	1ct:2ct	1ct:1ct	1.50	0.60	45	1.0/2.0	1.0/1.0	F
PM-IS66	1ct:1.5ct	1ct:2ct	1.50	0.60	45	1.0/2.0	1.0/2.0	F
PM-IS67	1ct:2.3ct	1ct:1ct	1.50	0.60	45	1.0/2.0	1.0/1.0	G
PM-IS68	1ct:2ct	1ct:2ct	1.50	0.60	45	1.0/2.0	1.0/2.0	J
PM-IS69	1:2ct	1:1.36ct	1.50	0.40	45	1.0/2.0	1.0/1.4	A
PM-IS70	1ct:2.42ct	1ct:2.42ct	1.20	0.60	25	0.7/1.2	0.7/1.2	J
PM-IS71	1:1.14ct	1:2ct	1.50	0.50	40	0.7/0.9	0.7/1.2	A
PM-IS72	1:1.15ct	1ct:2ct	1.50	0.80	40	0.9/1.0	1.0/2.0	E
PM-IS73	1ct:2ct	1:1.36ct	1.50	0.60	40	1.0/2.0	1.0/1.4	I
PM-IS74	1ct:1ct	1ct:2.4ct	1.00	0.80	30	.85/.85	.85/1.5	G
PM-IS75	1ct:3ct	1ct:1ct	1.00	1.0	40	1.0/2.0	1.0/1.0	G
PM-IS76	1ct:1ct	1ct:2ct	1.20	0.60	30	1.0/1.00	1.0/2.0	F
PM-IS77	1ct:2ct	1:1	1.40	0.50	30	0.7/1.2	0.7/0.7	B
PM-IS78	1:1ct	1:1ct	1.2	0.70	22.0	0.8/0.8	0.8/0.8	k

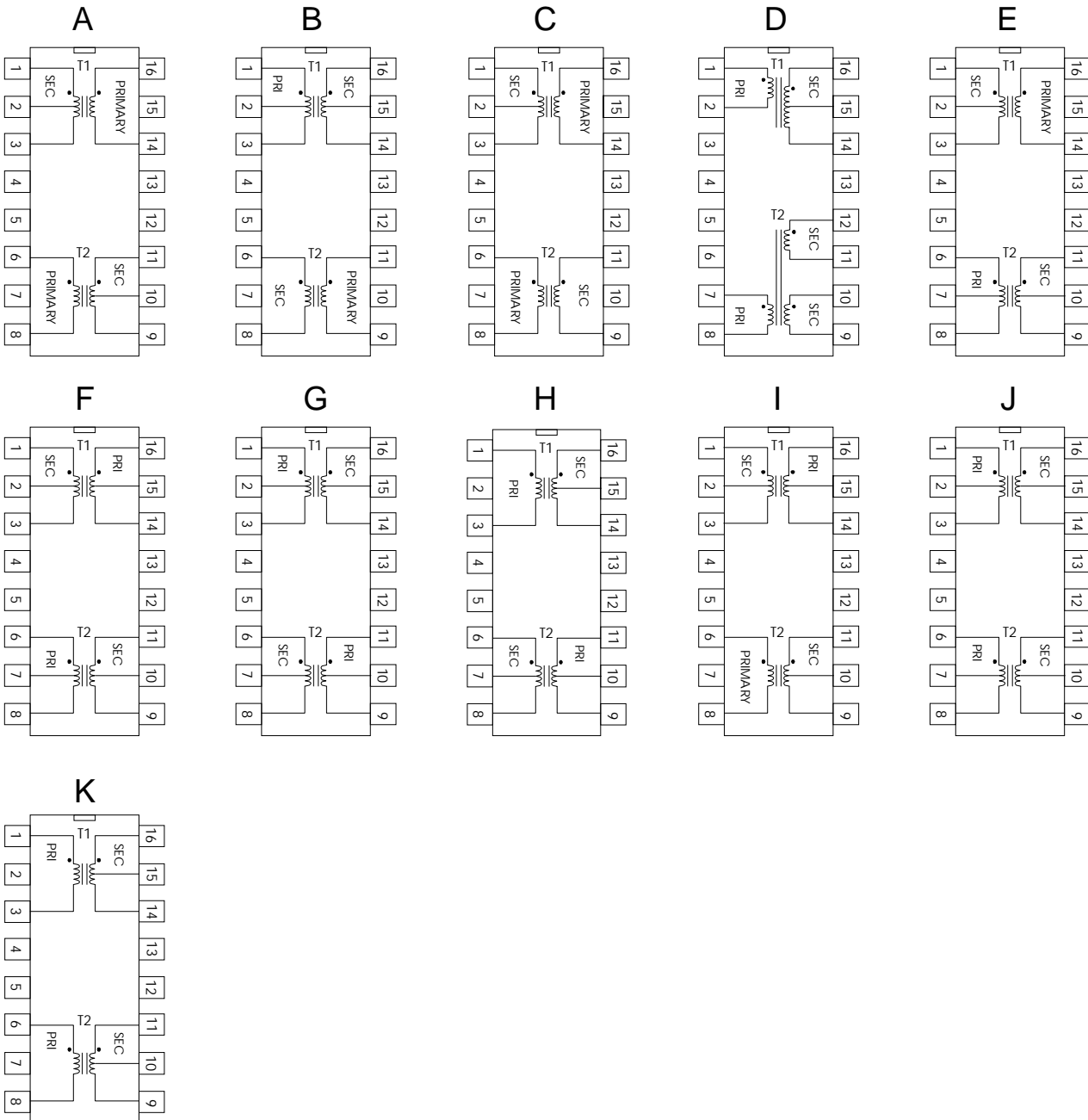
Tp¹: T1 RATIO'S ARE, PINS16-14 : PINS1-2 = 1: 0.027 ; PINS16-14 : PINS2-3 = 1:1.00 ; PINS16-14:PINS1-3 = 1:1.027
(2): 1500Vrms HI-POT

Specifications subject to change without notice.

pmis2_7x 10/01

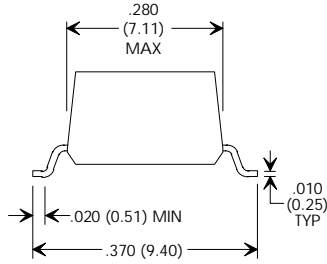
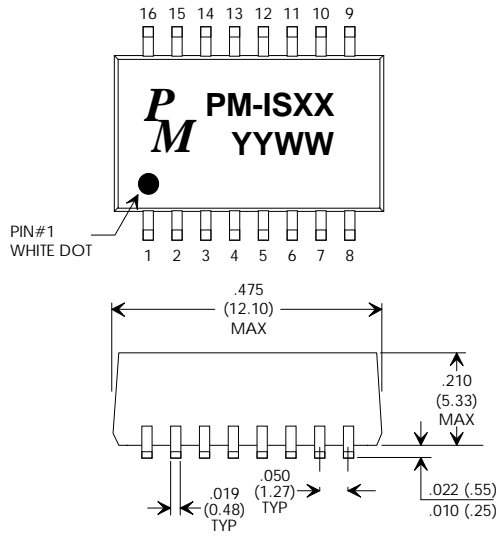
T1/CEPT DUAL CORE SMD ISOLATION TRANSFORMERS

SCHEMATICS



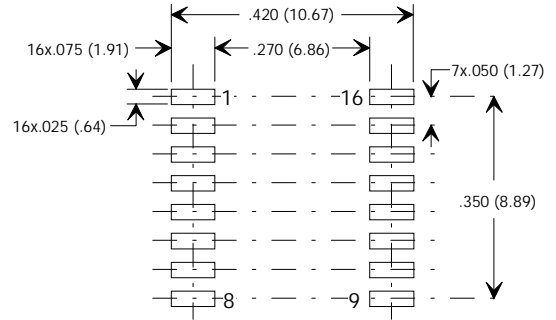
T1/CEPT DUAL CORE SMD ISOLATION TRANSFORMERS

MECHANICAL



PCB LAYOUT

RECOMMENDED PCB LAYOUT Dimensions in inches (mm)



T1/CEPT DUAL CORE SMD ISOLATION TRANSFORMERS

CROSS REFERENCE LISTING

PREMIER PART#	X-REF NAME & PART#
PM-IS26	Exar XR-T5683A Transmit & Receive 1.544 thru 8.448
PM-is28	PULSE T1090
or PM-IS28	1.544(T1), 2.048(E1), 6.312(T2), 6.448(E2)
PM-IS63	PE-65862
PM-IS70	Pulse T1137 (1ct:2.42ct) for T1 & T2 Chip: Mitel MT9076
PM-IS72	PULSE T1076
PM-IS74	PULSE T1144
PM-IS27	PE-65865
PM-IS75	Use on Dallas semiconductor DS2149
PM-IS78	XFMRS, XF0013819D